



VOYAGE

Zippie® VOYAGE

- with transit option without transit option



Supplier: This manual must be given to the user of this wheelchair.

User: Before using this wheelchair read this entire manual and save for future reference.

Owner's Manual



SUNRISE LISTENS

Thank you for choosing a Zippie product. We want to hear your questions or comments about this manual, the safety and reliability of your device, and the service you receive from your supplier. Please feel free to write or call us at the address and telephone number below:

SUNRISE MEDICAL
Customer Service Department
2842 Business Park Avenue
Fresno, CA 93727 USA
(800) 333-4000

Let us know your address. This will allow us to keep you up to date with information about safety, new products and options to increase your use and enjoyment of this Dependent Mobility Device.

FOR ANSWERS TO YOUR QUESTIONS

Your authorized supplier knows your Zippie product best, and can answer most of your questions about device safety, use and maintenance. For future reference, please fill in the following:

Supplier: _____

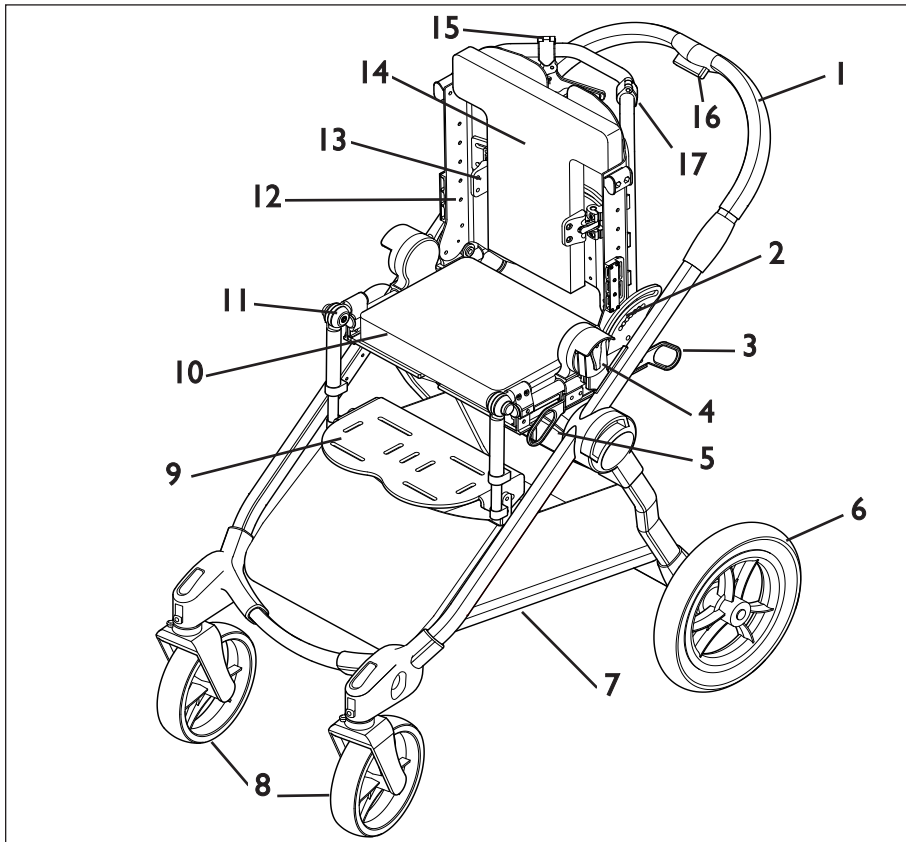
Address: _____

Telephone: _____

Serial #: _____ Date/Purchased: _____

III. YOUR DEVICE AND ITS PARTS.....	4
IV. NOTICE– READ BEFORE USE.....	5
GENERAL WARNINGS.....	5
A. WEIGHT LIMIT.....	5
B. GETTING TO KNOW YOUR DEVICE.....	5
C. TO REDUCE THE RISK OF AN ACCIDENT.....	5
D. SAFETY CHECKLIST.....	5
E. CHANGES AND ADJUSTMENTS.....	5
F. ENVIRONMENTAL CONDITIONS.....	5
G. STREET USE.....	6
H. MOTOR VEHICLE SAFETY.....	6
I. FOR CAREGIVERS.....	6
VI. WARNINGS: FALLS AND TIP-OVERS.....	6
A. CENTER OF BALANCE.....	6
B. DRESSING OR CHANGING CLOTHES.....	6
C. OBSTACLES.....	6
D. REACHING OR LEANING.....	6
E. RAMPS, SLOPES AND SIDEHILLS.....	7
F. TRANSFERS.....	7
G. NEGOTIATING A CURB OR SINGLE STEP.....	7
H. CLIMBING STAIRS.....	7
I. DESCENDING STAIRS.....	7
J. ESCALATORS.....	7
VII. WARNINGS– COMPONENTS AND OPTIONS.....	8
A. BASE FRAME.....	8
B. SUPPORT TRAY AND TRAY SUPPORT ARMS.....	8
C. FASTENERS.....	8
D. FOOTREST.....	8
E. TIRES AND WHEELS.....	8
F. PARKING BRAKE.....	8
G. UNDERCARRIAGE STORAGE.....	8
H. ACCESSORY TRAYS.....	8
I. CANOPY.....	8
J. SEATING SYSTEMS.....	8
K. PELVIC POSITIONING BELTS.....	8
L. CUSHIONS.....	8
M. TILT AND RECLINE.....	9
N. TRANSIT OPTION AND USE:.....	9
VIII. SET-UP AND ADJUSTMENTS.....	10
A. UNFOLDING AND FOLDING BASE FRAME.....	10
B. CASTER WHEELS.....	11
C. REAR WHEELS.....	11
D. PARKING BRAKE OPERATION.....	11
E. SEATING SHELL INSTALLATION.....	12
F. SEATING SHELL REMOVAL.....	12
G. TILT IN SPACE ANGLE ADJUSTMENT.....	12
H. RECLINE ADJUSTMENT (OPTIONAL).....	13
I. SEAT TO BACK ANGLE ADJUSTMENT.....	13
J. KNEE ANGLE ADJUSTMENT.....	13
K. CANOPY INSTALLATION AND ADJUSTMENT.....	14
L. TELESCOPING STROLLER HANDLE EXTENSION.....	14
IX. POSITIONING AND GROWTH ADJUSTMENTS..	15
A. POSITIONING AND GROWTH ADJUSTMENTS.....	15
TOOLS YOU WILL NEED.....	15
B. SEAT DEPTH ADJUSTMENT.....	15
C. STANDARD CUSHION ADJUSTMENT.....	15
D. ADJUSTABLE CONTOUR CUSHION ADJUSTMENTS.....	16
E. STANDARD PLANAR CUSHION WITHOUT LATERAL SUPPORTS.....	16
F. SHOULDER STRAP HEIGHT ADJUSTMENT.....	16
G. BACK CUSHION HEIGHT ADJUSTMENT.....	17
H. FOOTREST ADJUSTMENTS.....	17
I. PELVIC POSITIONING BELT ADJUSTMENTS.....	17
J. ANTERIOR TRUNK BUTTERFLY SUPPORT.....	18
K. LATERAL TRUNK SUPPORTS.....	18
L. CHOOSING ANTERIOR SUPPORTS.....	19
M. HEAD SUPPORTS.....	19
N. LATERAL HIP BLOCKS.....	20
O. MEDIAL SUPPORT PADS.....	20
P. TRAY ARM HEIGHT ADJUSTMENT.....	21
Q. TRAY INSTALLATION AND ADJUSTMENT.....	21
R. FOOT STRAP ADJUSTMENT.....	21
S. SHOE HOLDER STRAP ADJUSTMENT.....	21
T. FOLDING BOOSTER BASE (HEIGHT ADJ).....	21
U. VENT/BATTERY TRAYS.....	22
V. FRONT OR REAR ADD-ON PLATFORM.....	22
W. IV SUPPORT POLE / O2 TANK HOLDER.....	22
X. CUP HOLDER, UTILITY HOOK.....	22
X. MAINTENANCE.....	23
A. NOTES.....	23
B. CLEANING.....	23
C. STORAGE TIPS.....	23
D. ORDERING PARTS.....	23
XI. SUNRISE LIMITED WARRANTY.....	23

III. YOUR DEVICE AND ITS PARTS



1. Folding Base Frame
2. Angle Adjustable Backrest
3. Rear Transit Hardware (optional)
4. Seating/Frame Interface
5. Front Transit Hardware (optional)
6. Rear Wheel
7. Undercarriage Storage
8. Front Caster
9. Adjustable Footplate
10. Seat Cushion
11. Footrest Adjustment Knuckle
12. Seating Shell
13. Adjustable Laterals (optional)
14. Backrest Pad
15. Tilt Lever
16. Handle Extension Trigger
17. Recline Lever

ZIPPIE VOYAGE

Adjustment Ranges:**Tilt**

+5° to -45°

Recline

90° to 135°

Push Handle Height

39" to 41 1/2"

Seat Depth

5" to 13"

Seat Width (at hip)

6" to 13"

Seat Width (with optional lateral hip supports)

6.5" to 10"

Knee Width

13 1/4"

Knee Width (with optional medial knee supports)

5" - 11"

Headrest Pad Height

13" to 22"

Shoulder Height Adjustment for Belts and Harnesses.

Short: 7" to 13"

Tall: 10" -17"

Lower Leg / Footrest Adjustment Range

Lower leg/foot: 1.5" -12"

Footrest angle Adjustment 60° to 260°

Dimensions

Overall Width: 24"

Floor-to-seat height: 24"

Folded height: 12"

Undercarriage storage

Weight Limit: 15lbs

Seating Options

Standard planar seat with/without hip blocks

Contoured wedge seat with/without hip blocks

Contoured anti-thrust (ledge) seat

Adjustable Contour Seat

All features may not be available with some device setups or in conjunction with other device features. Please consult your supplier for more information. Your authorized supplier can also provide you with information on accessories.

A. CHOOSE THE RIGHT DEVICE & SAFETY OPTIONS

Sunrise provides a choice of many wheelchair styles to meet the needs of your child. However, final selection of the type of device, options, and adjustments rests solely with you and your health care advisor. Choosing the best early intervention device and set-up for safety depends on such things as:

1. The child's disability, strength, balance, coordination, and the limits of their abilities.
2. The types of hazards that must be overcome in daily use (where you live and work), and other places you are likely to use the device.
3. The dependents need of options for their safety and comfort.

B. REVIEW THIS MANUAL OFTEN

Before using this device you, and each person who may assist you, should read this entire manual and make sure to follow all instructions. Review the warnings often, until they are second nature to you.

C. WARNINGS

The word "WARNING" refers to a hazard or unsafe practice that may cause **severe injury or death** to you or to other persons. The "Warnings" are in three main sections, as follows:

1. V — GENERAL WARNINGS

Here you will find a safety checklist and a summary of risks you need to be aware of before you ride this device.

2. VI — WARNINGS — FALLS & TIP-OVERS

Here you will learn how to avoid a fall or tip-over while performing daily activities with the device.

3. VII — WARNINGS — FOR SAFE USE

Here you will learn about practices for the safe use of the device.

4. VIII — WARNINGS — COMPONENTS & OPTIONS

Here you will learn about the components of the device and options you can select for safety. Consult your authorized supplier and your health care advisor to help you choose the best set-up and options for safe use.

NOTE— Where they apply, you will also find "Warnings" in other sections of this manual. Heed all warnings. If you fail to do so, a fall, tip-over or loss of control may occur and cause severe injury to the rider and/or others.

V. GENERAL WARNINGS

A. WEIGHT LIMIT



WARNING

NEVER exceed the weight limit of 60 pounds (27 kilograms), for the weight of the occupant. If the limit is exceeded, damage to your device, a fall, tip-over or loss of control may occur and cause severe injury to the rider and/or others.

B. GETTING TO KNOW YOUR DEVICE



WARNING

Read all instructions before using this product. In particular, you should be trained in the safe use of this product by your health care professional.

C. TO REDUCE THE RISK OF AN ACCIDENT



WARNING

1. BEFORE using this device, you should be trained in its safe use by your health care advisor.
2. Practice transfers until you know your limits and the extent of your child's abilities. Have someone help you to avoid a fall or tip-over.
3. Be aware that you must develop your own methods for safe use best suited to your level of function and ability.
4. NEVER try a new maneuver on your own until you are sure you can do it safely.
5. Get to know the areas where you plan to use your device, look for hazards and learn how to avoid them.

D. SAFETY CHECKLIST



WARNING

Before each use of the Early Intervention Device.

1. Parking brake must be adjusted to maintain proper performance. Always engage the parking brake before transferring a dependent child.

2. Check that the device rolls easily, and that all parts work smoothly. Check for noise, vibration, or a change in ease of use, (they may indicate loose fasteners, or other damage).
3. Repair any problem you may encounter. Your authorized supplier can help you find and correct any problems.
4. Make sure the tire/axle on both sides are fully engaged and locked. If they are not locked, the wheel may come off and cause a fall.
5. Never seat your child in the mobility device until it is fully unfolded and locked.
6. After adjusting handle length check to make sure that it is locked at the new length.
7. Always use a pelvic positioning belt when child is seated.
8. Never leave your child unattended.

E. CHANGES AND ADJUSTMENTS



WARNING

1. See your health care professional and have them adjust seating components and accessories as your child grows.
2. Unauthorized modifications or use of parts not supplied or approved by Sunrise Medical may change the product's structure. This will void any warranty and may cause a safety hazard.

F. ENVIRONMENTAL CONDITIONS



WARNING

1. Your mobility device is designed for use on firm, even surfaces such as concrete, asphalt, indoor floors and carpeting.
2. Use extra care if you must use this mobility device on a wet or slick surface. If you are in doubt, ask for help.
3. Do not operate your mobility device in sand, loose soil or over rough terrain.

G. STREET USE

WARNING

1. When using this device, avoid street use whenever possible.
2. This product should stay in, and obey all legal pedestrian pathways, and laws that apply to pedestrians.
3. Be alert to the danger of motor vehicles in parking lots.
4. At night, or when lighting is poor, use reflective tape or clothing for maximum visibility.
5. IF you have to cross a road, make eye contact with drivers before you go forward. When in doubt, yield until you are sure it is safe.

H. MOTOR VEHICLE SAFETY

WARNING

1. As indicated on the front cover of this user manual, identify whether your device has been manufactured with the transit option installed. If your device is NOT equipped with the transit option:
2. NEVER use the mobility device seating system as a car seat.
3. ALWAYS move the rider to an approved vehicle seat.
4. ALWAYS secure the rider with proper motor vehicle restraints.
5. In an accident or sudden stop the rider may be thrown from the mobility device. Mobility device pelvic positioning belts will not prevent this and further injury may result from these belts or straps.

6. NEVER transport this mobility device in the front seat of a vehicle. This action could risk serious injury or death to the dependent rider and driver.
7. ALWAYS secure the unoccupied mobility device so that it cannot roll or shift when being transported in a vehicle.
8. Do not use this product if it has been involved in a motor vehicle accident. If your device is equipped with the transit option, refer to Section VII. "Transit Option and Use".

I. FOR CAREGIVERS

WARNING

1. Work with the child's health care professional to learn safety methods best suited to your abilities and those of your child.
2. To prevent injury to your back, use good posture and proper body mechanics when lifting, or tilting your child.
3. Remind the dependent to lean back when you tilt the mobility device backward.
4. When you descend a curb or single step, slowly lower the mobility device in one easy movement.
5. NEVER leave the dependent child alone.
6. When making adjustments to the mobility device, always engage the parking brake and lock caster wheels to help minimize unintended movement.

VI. WARNINGS: FALLS AND TIP-OVERS

A. CENTER OF BALANCE

WARNING

Dependent mobility devices are designed for stability and performance. The point where this device will tip forward, back, or to the side depends on its center of balance and stability. The center of balance is also affected by:

- The seat height and seat angle.
- Backrest angle.
- Changes in your child's body position, postures or weight distribution.
- Pushing the mobility device on a ramp or slope.
- The use of a backpack or other options, and the amount of added weight.
- The use of a vents, batteries, oxygen and other options, and the amount of added weight that these options add to the device.

To maintain the proper center of gravity and good balance:

- Consult your healthcare advisor and/or supplier to help you in setting up the mobility device correctly.
- Consult your authorized supplier or healthcare advisor BEFORE you modify or adjust the mobility device.

B. DRESSING OR CHANGING CLOTHES

WARNING

Your child's weight may shift if you dress your child, or change your child's clothes while they are seated in the mobility device.

To reduce the risk of a fall or tip over while changing clothes or diapers:

- Rotate the front casters until they point forward.
- Engage the parking brake.

C. OBSTACLES

WARNING

Obstacles and road hazards (such as potholes and broken pavement) can damage your mobility device and may cause a fall, tip over, or loss of control. To avoid these risks:

- Scan the area well ahead for danger as you travel with your mobility device.
- Make sure floor areas ahead are level and free of obstacles.
- Install a ramp at entry or exit doors. Make sure there is not a drop off at the bottom of the ramp.

D. REACHING OR LEANING

WARNING

If your child reaches or leans it will affect the center of balance of the mobility device. This may cause a fall or tip over.

- NEVER allow your child to reach or lean if they must rise up off their seat for the action.
- If your child must reach, move the mobility device as close as you can to the object, and rotate the front casters until they are as far forward as possible.

NOTE— To do this: Move your mobility device past the object that the child might want to reach, then back up alongside it.

E. RAMPS, SLOPES AND SIDEHILLS

WARNING

Pushing the mobility device on a slope, including ramps or hills, will change the center of balance. Some safety reminders include:

1. Do not push this product on a slope steeper than 10%. (A 10% slope means: one foot in elevation for every ten feet of slope length).
2. Do not turn or change direction on a slope or ramp.
3. For your child's safety, ramps at home and work must meet all legal requirements for your location.
4. Always stay in the CENTER of the ramp.
5. Use a ramp with guardrails (or raised borders at least 3" high).
6. Always go straight up and straight down on hills or ramps.
7. Do not stop on a steep slope.
8. Watch for a drop-off at the bottom of a slope or ramp.
9. Do not engage the parking brake to slow or stop your mobility device.
10. Beware of wet or slippery surfaces, especially on slopes.
11. Do not recline or tilt the shell while going up hills.
12. Ask for help any time you are in doubt of stability.

F. TRANSFERS

WARNING

1. Work with your health care advisor to learn safe transfer and lifting methods.
2. Have someone help you until you know how to do a safe transfer of the dependent on your own.
3. Move your child's mobility device as close as you can to the location you are transferring to.
4. Rotate the front casters until they point forward.
5. Engage the parking brake before you transfer. This keeps the device stable during the transfer.
6. When transferring a child into the device, make sure they are placed as far back onto the seat surface as possible. This will reduce the risk that the mobility device will tip over and/or move away from you.

G. NEGOTIATING A CURB OR SINGLE STEP

WARNING

Follow the instructions below for descending or climbing a stair or curb. **Do not try to climb a high curb or step more than 4" high, if the accessory tray, or rear glider platform is installed.** Doing so can risk injury to the caregiver, may cause the device to exceed its balance point and tip over, and may cause damage to your mobility device.

To descend a curb or single step going BACKWARD:

1. Stay at the rear of the mobility device.
2. Several feet before you reach the edge of the curb or step, turn the device around and pull it backward.
3. While looking over your shoulder, carefully step back until you are off the curb or stair and standing on the lower level.
4. Pull your mobility device toward you until the rear wheels reach the edge of the curb or step. Then allow the rear wheels to slowly roll down onto the lower level.
5. When the rear wheels are safely on the lower level, tilt the mobility device back to its balance point. This will lift the front casters off the curb or step.

6. Keep the mobility device in balance and take small steps backward. Turn the mobility device around and gently lower front casters to the ground.

To climb a step or curb going FORWARD:

1. Stay behind the mobility device.
2. Face the curb and tilt the mobility device up on the rear wheels so that the front casters clear the curb or step.
3. Move forward, placing the front casters on the upper level as soon as you are sure they are past the edge.
4. Continue forward until the rear wheels contact the face of the curb or step. Lift and roll the rear wheels to the upper level.

H. CLIMBING STAIRS

WARNING

1. Do not climb stairs if your mobility device has an accessory tray installed.
2. Use at least two attendants when moving the occupied mobility device up stairs.
3. The rider and mobility device should be facing BACKWARD when moving up the stairs.
4. ALWAYS carry the mobility device by holding the FRAME, being careful to avoid grabbing the footrest, wheels, tray parts, and other areas that are meant to detach from the mobility device.
5. The person at the rear should be in control. He or she should tilt the mobility device back to its balance point.
6. A second attendant at the front firmly grasps a non-detachable part of the front frame and lifts the mobility device up and over the stair.
7. The attendants should move up one stair at a time until the landing is reached.

I. DESCENDING STAIRS

WARNING

1. Do not descend stairs if your mobility device has an accessory tray installed.
2. Use at least two attendants to move an occupied mobility device down stairs.
3. Move the mobility device with both the device and rider facing FORWARD down the stairs.
4. The person at the rear is in control. He or she tilts the mobility device back to the balance point of the rear wheels and rolls it to the edge of the top step.
5. A second attendant stands on the third step from the top and grasps the frame. He or she lowers the device one step at a time by letting the rear wheels roll over the stair edge.
6. The attendants should move down one stair at a time until the landing is reached.

J. ESCALATORS

WARNING

NEVER use this mobility device on an escalator, even with an attendant.

VII. WARNINGS: COMPONENTS AND OPTIONS**⚠ WARNING**

This early intervention device has been tested and approved using Sunrise accessories. Any accessory that has not been expressly approved by Sunrise Medical will void your warranty, and may add a safety risk to attendant and child.

A. BASE FRAME**⚠ WARNING**

Inspect cables and engage/release buttons before every use to make sure they are in good working condition. Be sure that your base frame is locked before seating your child.

B. SUPPORT TRAY AND TRAY SUPPORT ARMS**⚠ WARNING**

Before adding or removing a tray to the mobility device be sure to point front casters to the front of the device and engage parking brake. This keeps the wheels from rolling when attaching the tray.

1. Do not lift this product by its tray support arms.
2. ALWAYS make certain that the tray is fully locked into place after adding it to the dependent mobility device.

C. FASTENERS**⚠ WARNING**

Many of the screws, and nuts on this product are considered to be special high-strength fasteners. They require periodic checks and maintenance to ensure the safety of both the user and attendant.

1. Most adjustments that require removing hardware should be done by your Service provider.
2. Only use fasteners provided by an authorized supplier (or ones of the same type and strength), as indicated by the markings on the heads.
3. Do not over- or under-tighten fasteners. If screws or nuts become loose, tighten them as soon as possible.

D. FOOTREST**⚠ WARNING**

1. Adjustment of the footbed may cause interference with the front lower frame in some positions. This interference can affect the comfort and proper support for the seated dependent.
2. Avoid putting extra weight on the footbed. The mobility device may tip forward (or backward if seating system has been reversed).
3. Never lift this mobility device by the footbeds.

E. TIRES AND WHEELS**⚠ WARNING**

1. Yearly tire inspection for excessive wear is suggested to ensure good traction in all types of environments.
2. When installing front or rear wheel/tire assembly, slide the wheels into the axle opening until the quick release lever pops out, and there is an audible click. Your wheel is now fully engaged and locked.

F. PARKING BRAKE**⚠ WARNING**

Never engage the parking brake to slow or stop this product when it is moving. To keep the rear wheels from rolling, always engage the parking brake fully when you transfer your dependent or the dependent seating system.

G. UNDERCARRIAGE STORAGE**⚠ WARNING**

This mobility device's storage basket was designed for the addition of up to 15lbs of additional weight. Excessive weight may cause an unstable or hazardous condition to exist.

H. ACCESSORY TRAYS**⚠ WARNING**

This mobility device's storage trays were designed for the addition of Sunrise approved components only. Excessive weight, or a non-Sunrise accessory, may cause an unstable or hazardous condition to exist.

I. CANOPY**⚠ WARNING**

When using the canopy, make sure that it is secure by checking the clamps that hold it to the base.

J. SEATING SYSTEMS**⚠ WARNING**

DO NOT change the seating system, or individual components of your dependent mobility device unless you have first consulted your health care professional.

K. PELVIC POSITIONING BELTS**⚠ WARNING**

Use positioning belts ONLY to help support the child's posture.

1. Make sure the rider does not slide down in the mobility device seat. The belts must be snug, but must not be so tight that they interfere with breathing. You should be able to slide your open, flat hand, between the belt and the rider.
2. Use positioning belts with a cooperative rider only. Make sure that you can remove the belts in an emergency.
3. NEVER use the positioning belts:
 - As a restraint.
 - On a child who is comatose, agitated or is prone to seizures.
 - As a motor vehicle restraint— except those that are included with the transit option for the purpose of occupant restraint.

L. CUSHIONS**⚠ WARNING**

This mobility device's seating was designed for comfort and postural support. If seating component modifications are necessary, consult your healthcare advisor.

M. TILT AND RECLINE

WARNING

Using the tilt or recline adjustments triggers before taking the necessary precautions may effect the balance and stability of your device. BEFORE making these adjustments you must be aware of the following:

1. The child must be secure in the device.
2. You must rotate the front casters forward, and engage the parking brake.
3. ALWAYS make certain that the dependent mobility device is level and stable before adjusting the tilt and/or recline.

N. TRANSIT OPTION AND USE. 1 2 3

NOTE- The Zippie Voyage has passed transit testing and is considered to be WC-19 compliant for a 60 lb dependent child secured in a 5 point harness, with a transit strap attached to the rear frame.

WARNING

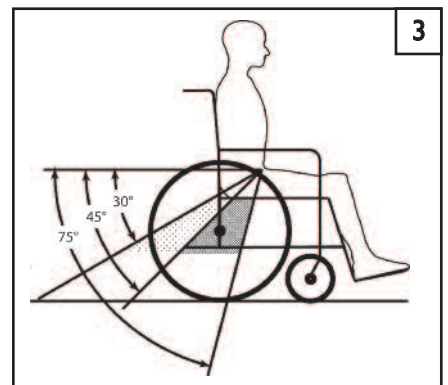
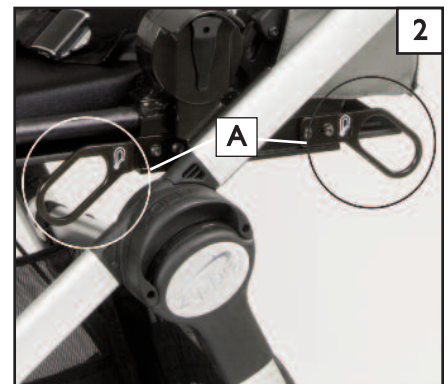
1. If possible and feasible, the rider should transfer to the vehicle seat and use the OEM vehicle-installed restraints.
2. The occupant must be facing the front of the vehicle during transport.
3. Wheelchair Tiedown and Occupant Restraint Systems (WTORS) must be used.
4. A Wheelchair Tiedown that has been tested in accordance with SAE J2249 must also be used in any transit situation.
5. The Occupant restraint straps provided with the Voyage must be used.
6. For all transit situations, you must use the Transit Strap provided with your device. It secures the seating shell to the rear frame. It is critical that the strap be threaded thru the 2 "D" clips as shown in (figure 1) for the safety of the occupant.
5. Mobility device mounted accessories, such as trays and respiratory equipment, and batteries, should be removed, and secured separately. The optional voyage vent tray, oxygen holder, and IV pole must also be removed and secured separately before using as a seat in a motor vehicle.
6. The occupant must not weigh more than 60 pounds. (27 Kilograms).
7. The location(s) of the front and rear securement points(A) are shown in (figure 2 and marked with a transit point label for clear identification.
8. Use only with WTORS that have been installed in accordance with the manufacturer's instructions and SAE J2249. Attach WTORS to the securement points(A) in accordance with the manufacture's instructions and SAE J224
9. The angle of the pelvic belt should be within the preferred zone of 45 to 75 degrees to the horizontal, or within the optional zone of 30 to 45 degrees to the horizontal (figure 3)
10. The pelvic belt should be worn low across the front of the pelvis. Position upper torso belts over the shoulders. The belt(s) should not be held away from the body by wheelchair components. Ensure that the belts are not twisted.
11. Attach all occupant restraints in accordance with the manufacturer's instructions and SAE J2249.

NOTE- To obtain a copy of SAE J2249

"Wheelchair Tiedown and Occupant Restraint Systems for Use in Motor Vehicles"

Please contact:

SAE International, 400 Commonwealth Drive
Warrendale, PA 15096-0001
or by phone at (724)-776-4970, or (877) 606-7232



A. UNFOLDING AND FOLDING BASE FRAME

⚠ WARNING

Zippie dependent mobility devices are designed for stability and performance. When unfolded, the device must be fully open and locked to avoid injury to the dependent rider. Follow the instructions for unfolding the device carefully, and double-check that the device is fully locked before adding the seating shell and rider.

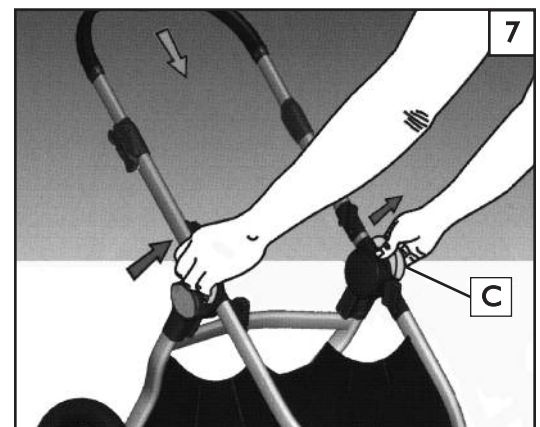
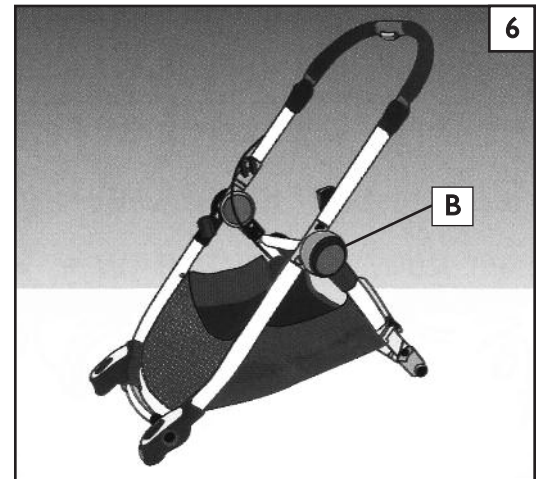
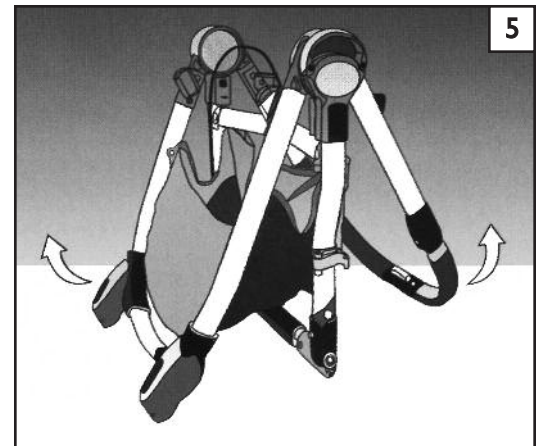
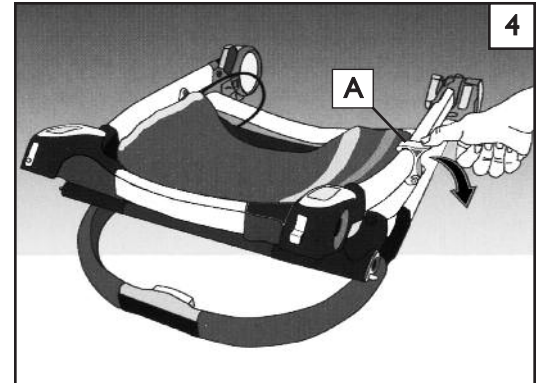
Unfolding: **4** **5** **6**

1. Unsnap the storage lock (A) from around the folded frame. It should remain attached to the frame for future use.
2. Pull the top and bottom of the frame in opposite directions to open the frame and upholstery.
3. Set the Frame and upholstery down on a flat surface, and push down on pivot point (B) until there is an audible “click” to lock the frame.
4. Rear wheels and front casters can now be attached if they are not attached already.

Folding: **7** **5** **4**

NOTE— Rear wheels, or front casters do not have to be removed for this procedure, but may be removed to save space for storage. If you decide to leave the front casters on the device, it may not lock correctly due to interference between the caster wheels and the push handle. In most cases you should fully retract the push handle before folding, then you will be able to snap the storage lock easily.

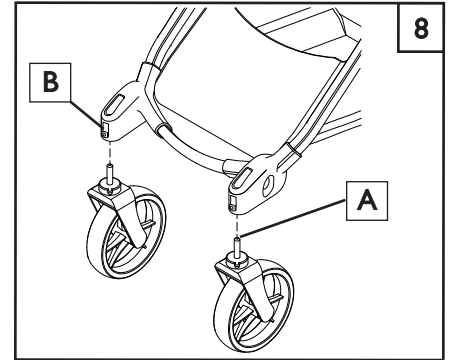
1. Remove the child from the seating shell, then remove the seating shell (refer to sub-section (F))
2. Pull up on both fold handles (C) at the same time with a gentle tug. This action will release the frame lock. Continue pulling up on the fold handles until the frame is fully collapsed. It may be necessary to push the handle and caster ends of the frame together with light pressure.
3. Snap the storage lock (A) around the upper frame to prevent the frame from opening when transporting, or storing the frame.



B. CASTER WHEELS

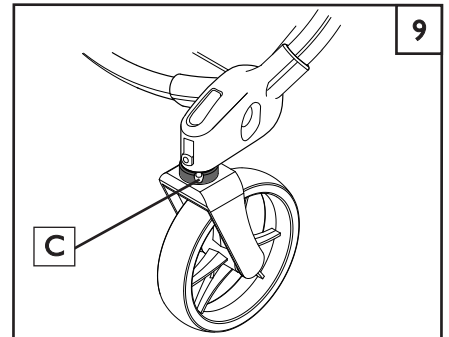
Installing and Removing the Caster Wheels 8

1. Locate the caster stem guide hole location on the bottom of the Voyage frame. Line up the caster stem (A) with the hole and insert, push until the caster stem clicks into place. Check the secure engagement to the base by pulling on the caster wheel. If it does not move the caster wheel has been installed properly. Repeat this procedure for other side.
2. To remove the caster wheel, press gray button (B) and slide the caster wheel out.



Caster Wheel Locks 9

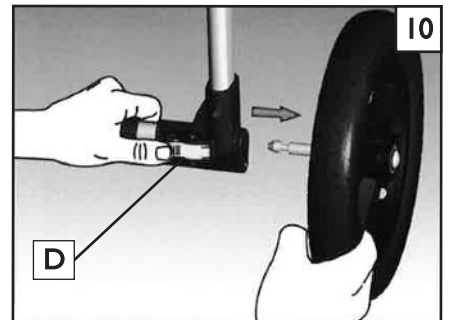
1. To lock the caster wheel slide the gray lever (C) to the left. Do this with both of the front caster wheels, and check to assure that the lock has been engaged.
2. To engage the swivel wheel, slide the gray lever (C) to the right. Repeat for the other side. Figure 9 shows the gray lever in the swivel position.



C. REAR WHEELS 10

Installing and Removing the Rear Wheels

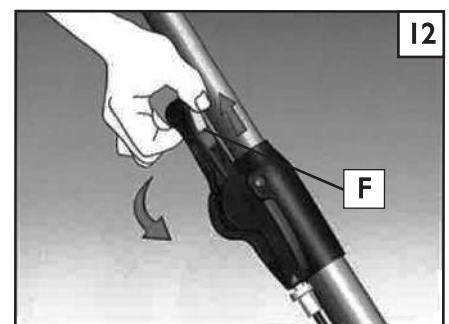
1. To install rear wheel, gently slide the rear wheel's axle into the hole in the frame until the wheel clicks into place.
2. To remove the rear wheel, simply press the wheel button (D) while gently sliding the wheel away from the frame.



D. PARKING BRAKE OPERATION

Engage or Disengage the Parking Brake 11 12

1. Engage the parking brake by gently pulling the brake lever (E) into an upright position until it clicks into place.
2. To release the parking brake, pinch the gray tabs (F) and pull up towards you. Once released, pivot the the brake lever down until it is parallel with the frame.



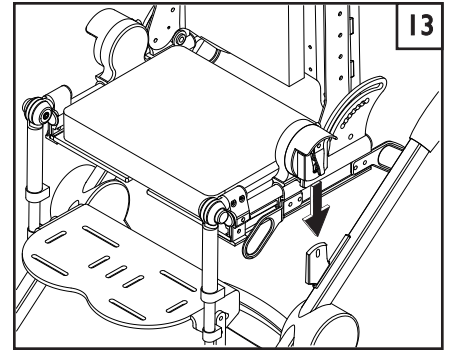
E. SEATING SHELL INSTALLATION

⚠ WARNING

BEFORE installing the seating shell, always check that the mobility device is completely unfolded and in the locked position, and that all four wheels are locked in place. The seating shell should never be installed with a seated occupant. Always remember to stabilize the mobility device before performing this action.

- Rotate the front casters until they point forward.
- Engage the parking brake.

The seating shell has two latch blocks mounted on the outside of the assembly. The base frame has two posts mounted to the inside of the frame that mate with the latch blocks. The seating shell may be installed so that the child can face either frontwards or rearwards. Installation is the same in either direction.



Install the seating shell

13

1. If seat has been reclined, return it to the fully upright position.
2. Grasp both sides of the seating shell and line up the latch block receivers with the locking posts. Lower the seating shell evenly so that both sides engage at the same time. You should hear an audible click on both sides. Check the secure engagement to the base by pulling up on both sides, if it does not move or tilt, the seating shell has been installed properly.
3. The seating shell is now ready to accept an occupant for transportation and/or adjustment.

F. SEATING SHELL REMOVAL

⚠ WARNING

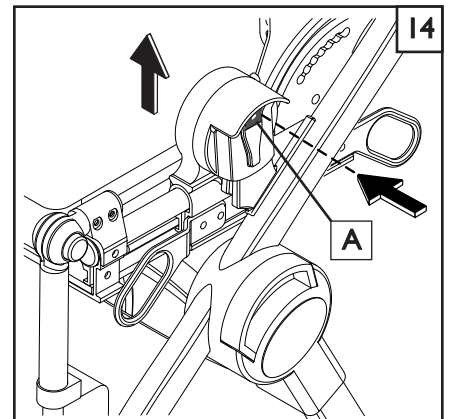
BEFORE removing the seating shell, always remove the occupant to a safe location. Failure to do so may result in injury to the dependent, and/or caregiver. Always remember to stabilize the mobility device before performing this action.

- Rotate the front casters until they point forward.
- Engage the parking brake.

Removal of the seating shell:

14

1. If seat has been reclined, return it to the fully upright position.
2. Push and hold both release levers (A) so that they disengage from the receiver posts. Once the seating shell has been disengaged from the receiver posts. Raise the seating shell evenly to clear the base.
2. The seating shell is now ready to be inspected and/or stored.



G. TILT IN SPACE ANGLE ADJUSTMENT

⚠ WARNING

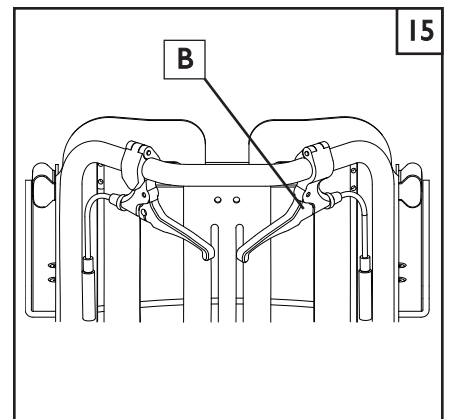
BEFORE using the tilt adjustment, always check that the mobility device is completely unfolded and in the locked position, and that all four wheels are locked in place. Be careful to avoid pulling or crimping any life support tubing that may be attached to the child. Always remember to stabilize the mobility device before performing this action:

- Rotate the front casters until they point forward.
- Engage the parking brake.

Tilt adjustment

15

1. From behind your mobility device, grasp the tilt lever on the right side (B) and squeeze, then pull back on the top of the seating shell to achieve desired angle adjustment (the back support and seating support components, including the footrest should move together). Release the handle and gently pull on the seating shell to make sure it is locked in the new position.
2. This adjustment can change the balance of the device slightly so it is good to check that there is no danger of tipping with the new setting.



H. RECLINE ADJUSTMENT (OPTIONAL)

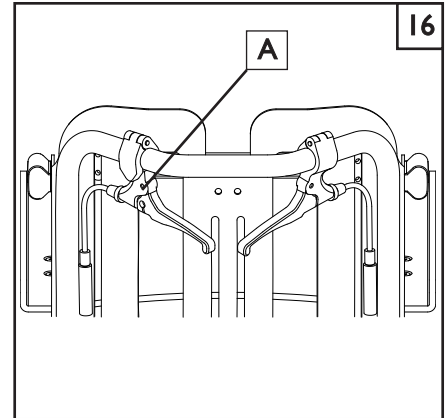
⚠ WARNING

BEFORE using the recline adjustment, always check that the mobility device is completely unfolded and in the locked position, and that all four wheels are locked in place. **Be careful to avoid pulling or crimping any life support tubing that may be attached to the child. Always remember to stabilize the mobility device before performing this action.**

- Rotate the front casters until they point forward.
- Engage the parking brake.
- If equipped with shoulder harness, loosen the shoulder straps to allow room for the recline.

Recline adjustment **16**

1. From behind your mobility device, grasp the recline lever (A). Squeeze the lever then pull on the back support area. (The back should move independently of the seating support and footrest). When desired angle adjustment has been reached, release the handle and gently pull on the seating shell to make sure it is locked in the new position.
2. This adjustment can change the balance of the device slightly so it is good to check that there is no danger of tipping with the new setting.
3. If equipped with shoulder harness, re-adjust the straps for proper fit.



I. SEAT TO BACK ANGLE ADJUSTMENT

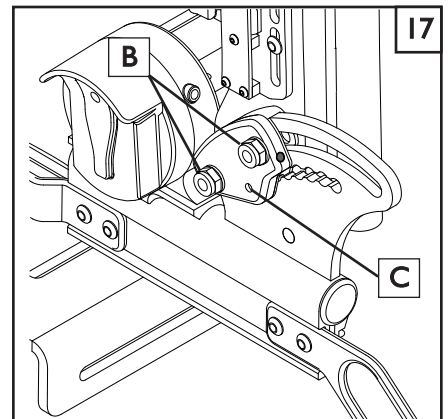
⚠ WARNING

For ease of adjustment, and safety of the dependent, remove the occupant before any adjustment is made. Always stabilize the mobility device before performing this action

- Rotate the front casters until they point forward.
- Engage the parking brake.

To adjust seat to back angle: **17**

1. This adjustment should be performed by a healthcare professional
2. There are 7 different settings available, from 90° to 135° in 7.5 degree increments.
3. Remove the nylock nuts (B) and plastic cover.
4. Remove the hole pin from the post (C) and repeat steps on other side of the device.
5. Adjust angle to desired location and re-install the hole pins.
6. Tighten the button-head screws and nuts (B) to 30-35 in-lbs (do not overtighten) to lock the adjustment into place.
7. This adjustment can change the balance of the device so it is good to check that there is no danger of tipping with the new setting.



J. KNEE ANGLE ADJUSTMENT

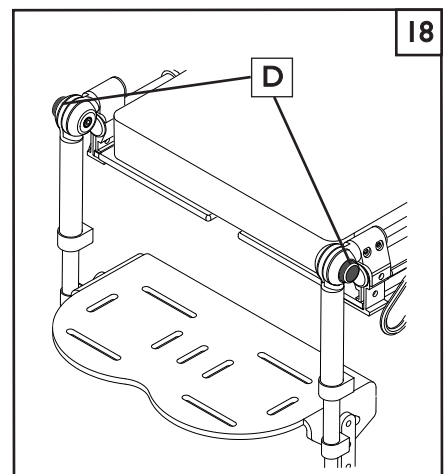
⚠ WARNING

Always stabilize the mobility device before performing this action

- Rotate the front casters until they point forward.
- Engage the parking brake.

Knee angle adjustment **18**

1. Be careful to avoid pulling or crimping any life support tubing that may be attached to the child. This adjustment can create a pinch point, so be careful to remove any obstruction, and/or clothing that could get stuck in this area.
2. The adjustment is made from in front of the dependent. Depress both legrest pivot buttons (D) simultaneously, and adjust to desired angle. Release the buttons and allow the legrest to lock into place.



K. CANOPY INSTALLATION AND ADJUSTMENT

⚠ WARNING

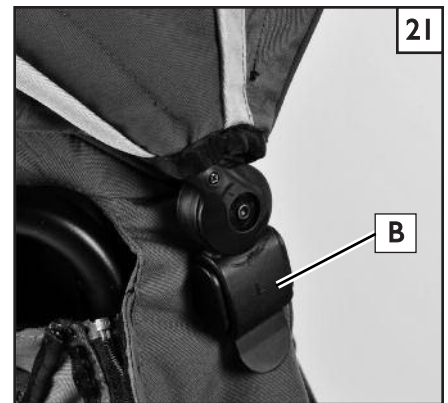
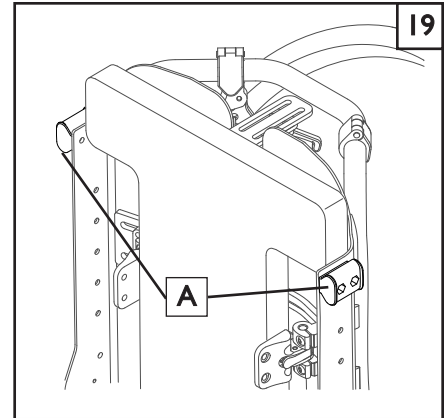
It is always best to make sure the dependent is not seated in the mobility device during the installation of accessories.

Canopy installation **19** **20** **21**

1. From behind your mobility device, attach the canopy to the seating shell receivers (A).
2. Check that the canopy has been installed correctly by visual inspection and checking for looseness, or an incorrect attachment. The plastic tabs (B) must be locked into place for safe operation.

Canopy adjustment

1. Once installed, adjust canopy angle by pushing it forward or backward until desired protection is obtained.
2. Lift the front of the canopy all the way up for clearance and access to the child.
3. When canopy is being used with the tilt and recline adjustments, it may be necessary to angle the canopy either forward or rearward for better clearance with the push handle.

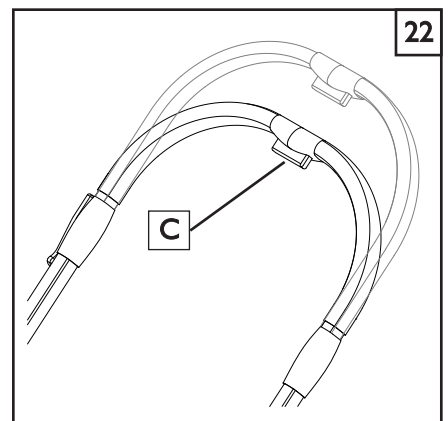


L. TELESCOPING STROLLER HANDLE EXTENSION

To adjust the Handle **22**

The handle height is adjustable for pushing comfort.

1. Stand behind your mobility device, and squeeze the handle height adjustment button (C) while pulling the handle toward you.
2. Adjust to the appropriate comfort level.



A. POSITIONING AND GROWTH ADJUSTMENTS

⚠ WARNING

If a change in adjustment is necessary for growth or positioning, a healthcare professional must be consulted before any changes are made. These adjustments are very important to the orthopedic and neurological needs of the child. Care should be taken to make sure the changes are physiologically and medically appropriate. Sunrise Medical suggests that any positioning or growth adjustments be made by your service provider. Do not allow any adjustments while the child is seated in the mobility device.

TOOLS YOU WILL NEED

To set-up, adjust and maintain your device you will need the following tools:

1. 4mm hex key for most growth adjustments on the Voyage.
2. 5/32 hex key (for headrest collar adjustments)
3. 10mm open end wrench
4. Torque Wrench

If you plan to adjust and maintain this device yourself, Sunrise recommends that you use a torque wrench.

NOTE– The torque wrench must measure inch-pounds. You may buy a torque wrench and proper metric sockets from any local hardware store.

In general, positioning and growth adjustments should be done in the following order:

1. Adjust Seated area
2. Adjust Back support area
3. Adjust pelvic positioning belt
4. Adjust footbed
5. Adjust head support(s)
6. Make other standard and optional adjustments that are needed
7. Check to be sure that all adjustment screws are torqued to specifications

B. SEAT DEPTH ADJUSTMENT

1. Start by determining the proper seat cushion depth.
2. Remove the seat cushion. It is attached with Velcro®.

Adjusting Seat Pan to increase depth. 23 24

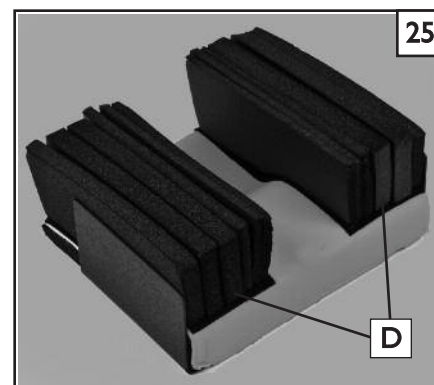
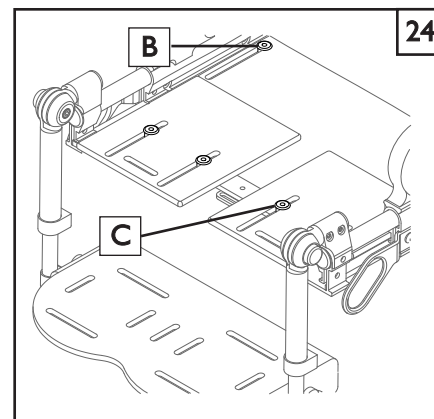
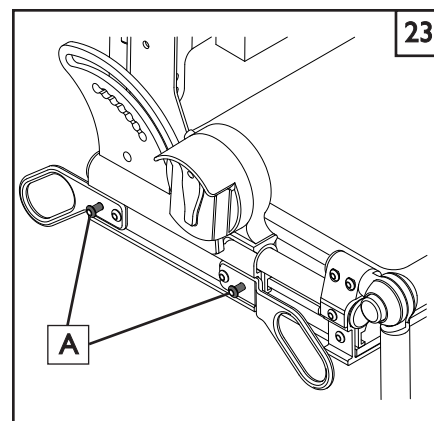
1. Loosen the screws (A) on both sides, found at the ends of the sideframe.
2. Loosen the two screws (B) that hold the seat pan in place.
3. You can slide the combination of seat pan and footrest platform to adjust the seat depth. Tighten the screws.
4. If more depth is needed loosen the assymmetric leg plates (C) and move forward to appropriate depth. Tighten the screws.

C. STANDARD CUSHION ADJUSTMENT

The standard seat cushion comes in three seat lengths, short, medium, and long. The short seat is 8" long, the medium seat is 10", and the long is 13". Any excess cushion for each range should extend under the back shell behind the seat. The cushions can adjust 5.5 to 11.5 inches in width by adding or removing adductor foam pads.

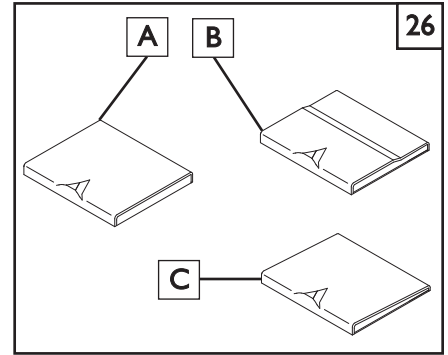
To adjust the width 25

1. Unzip and remove seat cover. Add or remove the same combination of adductor foam pads(D) from each side of the seat, to achieve the desired width.
2. Re-install the cover over the seat and pads, and close the zipper.



Cushion types 26

1. Standard (A), ledge (B), and wedge (C)
2. Each type of cushion effects the child's posture in a different and specific way.
3. Be sure to consult your health care advisor before changing the type of cushion.

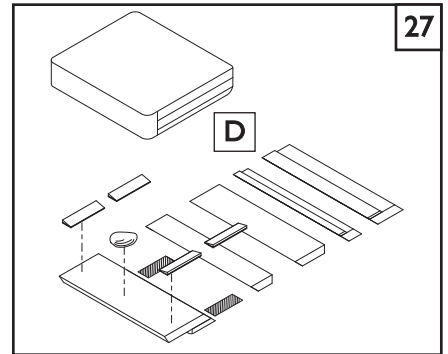


D. ADJUSTABLE CONTOUR CUSHION ADJUSTMENTS 27

The contoured seat cushion comes in three seat lengths, short, medium, and long. The short seat is 5" long, the medium seat is 7", and the long is 9". These cushions can be grown by an additional 3" by adding a 3" growth strip at the back of the cushion. The front and rear section of the cushion (D) has Velcro® attachment points for positioning the adductor wedges provided. They attach to the front and rear section of the cushion under the foam overlay. The foam overlay attaches to Velcro® at the back of the seat.

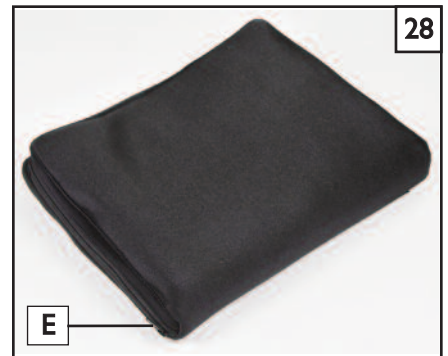
Adding growth strips

1. Unzip seat cover and fold the top over the front edge to expose the cushion.
2. Lift the foam overlay piece away from the Velcro® attachment, using care not to tear the foam.
3. Grasp the rear foam section at the middle and lift it from the velcro attachment.
4. Add either the 2" or the 3" growth strip at the back of the front foam section assuring that the angled edges and sides align, and black foam is facing down.
5. Re-attach the rear section assuring the angled edges and sides align.
6. Adjust the adductor wedges as needed and position the foam overlay over the cushion and attach to the Velcro® at the rear of the seat.
7. Close the zipper around the cushion and install into the unit.



Cleaning the seat cover 28

1. Unzip the cover (E) along the edge.
2. Remove the cushion assembly from the Velcro® attachment inside the cover.
3. The fabric seat cover should be hand washed with laundry soap, thoroughly rinsed with clean water, and air dried.
4. The foam cushion pieces may be wiped down with soap and water. Always be sure they are completely dry before replacing the fabric cover.
5. Place the cushion into the fabric cover and onto the Velcro® with the front edge of the cushion aligned with the front edge of the cover.
6. Pull the cover over the cushion and close the zipper around the cover.



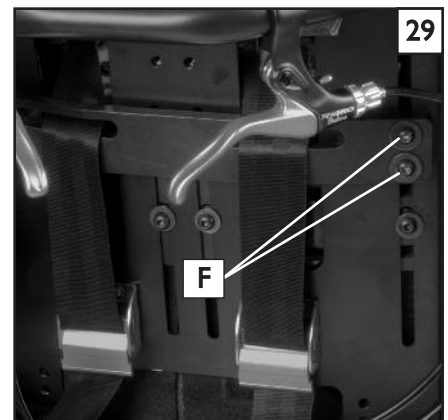
E. STANDARD PLANAR CUSHION WITHOUT LATERAL SUPPORTS

Adding growth strips

The standard cushion without lateral hip supports comes in three seat lengths, short, medium, and long. The short seat is 8" in length, the medium seat is 10", and the Long is 13".

F. SHOULDER STRAP HEIGHT ADJUSTMENT 29

1. Open the exterior back panel cover from the rear of the device to expose the back growth slots, and adjustment screws.
2. **Loosen**, do not remove (4), screws (F) through the access holes behind the back plate on each side. Adjust shoulder strap bar to proper height. Tighten all of the adjustment screws to 45 in-lbs (do not overtighten) and then re-adjust the shoulder straps for a comfortable fit.



G. BACK CUSHION HEIGHT ADJUSTMENT

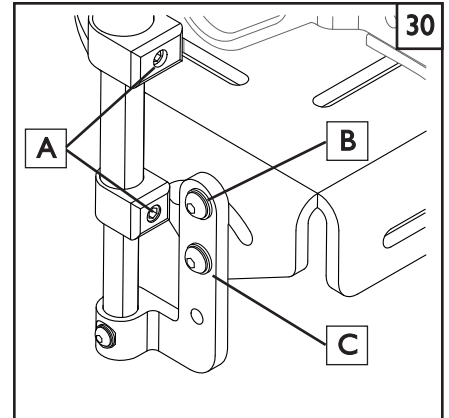
1. Fit the back cushion to the positioning plate at proper height.
2. Exchange appropriate back cushion inserts if a gap is present at the bottom of the back cushion.

H. FOOTREST ADJUSTMENTS 30

Height Adjustment

The height adjustment for the footrest consists of two telescoping tube sections which lock the footrest height.

1. Identify adjustment screw locations (A) on the rear side of the footrest hanger.
2. First loosen the upper screws on each side of the footrest hanger.
3. Slide the footrest up or down to proper height.
4. Tighten the upper screw to 15-20 in-lbs (do not overtighten)
5. Repeat procedure using lower screw if additional range is required.



NOTE- Footrest is shown inverted for shortest possible leg length. It can be attached either way by flipping the footrest for more height or more secure foot placement.

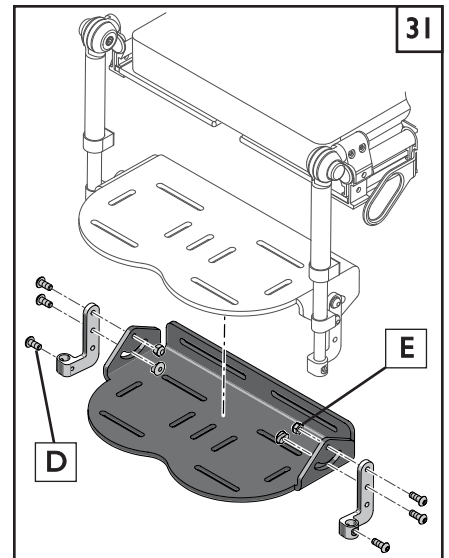
Angle Adjustment

1. The footrest has two screws (B) and (C) that control footrest rotation. Loosen both screws on each side of the footrest as shown in (figure 30).
2. Adjust the footrest to proper angle.
3. Tighten the adjustment screws to 40-45 in-lbs to maintain proper footrest angle. (Do not overtighten this hardware against plastic parts).

Flipping the footplate for max lower leg length 31

The foot bed is designed to flip and add approximately 1 1/2" of leg length adjustment.

1. Remove the footrest from the brackets by unscrewing the four button head screws (D) on the outside of the brackets.
2. It is not necessary to remove the brackets from the telescoping tubes.
3. Flip the footplate and reinstall the screws and nuts (E) so that they go through the hole and tighten up against the bracket. Tighten the mounting screws to 45 in-lbs (do not overtighten)
4. Repeat this procedure on the other side of the device.



I. PELVIC POSITIONING BELT ADJUSTMENTS 32

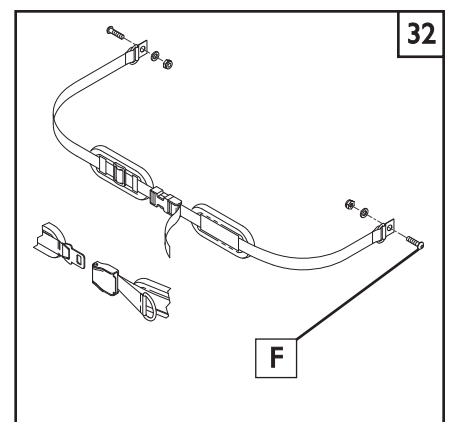
Length Adjustment

1. Remove any belt twists and place the belts outside of the seating area.
2. Engage wheel locks, seat the child, and snap the pelvic positioning belt ends together.
3. Adjust belt length to provide a snug fit. The adjuster is to the child's left.

Position Adjustment

For the standard seat configuration the belt is always adjusted to the rear most point (approximately 45°). When the contour seat cushion is used, the belt may be adjusted forward to achieve an adjustment of up to 90°.

1. Loosen the attachment screw (F) one or two turns to allow the belt anchor point to slide in the slot.
2. Move the belt to the desired adjustment position
3. Tighten the screw.



NOTE- Install the nylon web strap wraps under the tube, beside the seat base, and back over the top of the tube. This keeps the belt in the outer most position so it does not interfere with the seat cushion.

NOTE- When standard seat configuration is used, you must leave the belt in the rearmost position.

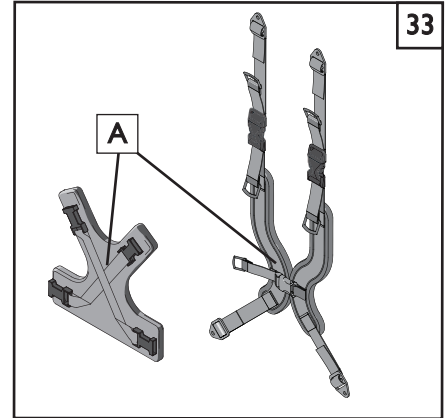
J. ANTERIOR TRUNK BUTTERFLY SUPPORT

⚠ WARNING

To avoid serious injury or issues with eating or breathing, the pelvic positioning belt is required to be used in combination with the butterfly harness. Double-check all adjustments to ensure there is no possibility of obstructing the airway or any other undesired constrictions. Do not use the butterfly harness without the pelvic positioning belt.

Harness Adjustment 33

1. Place the child in the seating system and fasten the pelvic positioning belt.
2. Position the child's hips and tighten the belt to the proper position.
3. Connect the butterfly harness (A) (two styles) to the straps already fastened to the positioning shell.
4. First, adjust the lower butterfly straps to keep the butterfly from riding up on the child's torso.
5. Then, adjust the upper straps making sure there is enough room around the child's neck for easy breathing and eating.
6. Once the butterfly straps are adjusted, snap the lower straps into the plastic tri-glide up against the quick release buckle.



K. LATERAL TRUNK SUPPORTS (OPTIONAL) 34

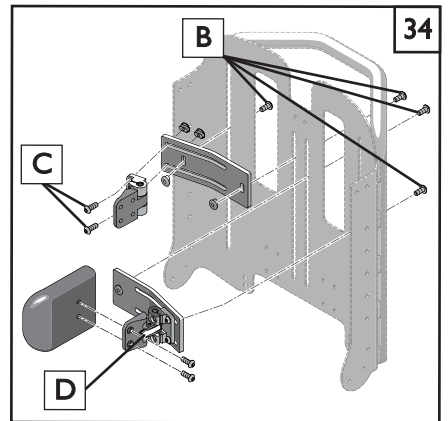
Assembly to the Seating Shell

1. From behind your unit, unzip the back upholstery and remove the back pad to expose back shell.
2. Insert screws and washers (B) from the rear of the shell through the adjustment slots.
3. Thread the bolts into the lateral nut plate clamping the lateral mounting plate to the backshell.
4. Tighten the screws.

Lateral Height and Width Adjustments 34

NOTE- The following adjustments may be able to be accomplished with the child present in the seating system.

1. Unzip the rear cover to access the adjustment screws.
2. **Loosen** (do not remove) the mounting screws (C) from the front of the shell enough to gain horizontal adjustment of the laterals. Adjust the lateral brackets for width bringing the lateral assembly including the pads to the proper position. If more horizontal adjustment is needed, you can also adjust the swing-away bracket.
3. Tighten the mounting screws to hold the adjustment.
4. To gain vertical adjustment of the laterals, loosen screws (B) from the rear of the backshell, and move the laterals up or down to the proper position, and tighten the screws.



Lateral Length and Rotation Adjustments 35

1. Slide the lateral cover and foam forward or remove to expose adjustment screws.
2. Loosen screws (E) and move lateral to proper length, you can also add a slight rotation by twisting the lateral slightly. Be sure to make the same adjustment on the other side.
3. Tighten screws and replace the foam and cover.

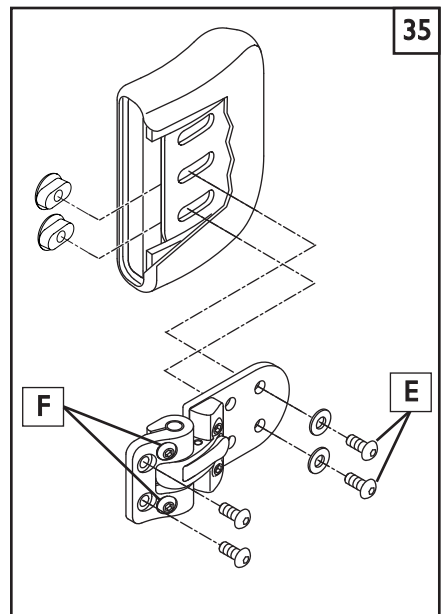
Lateral Swing-Away Operation

1. Depress the silver lever (D) allowing the lateral to swing inwards or outwards. This is useful for storage or helping a child into or out of the seating system.

NOTE- The laterals lock into the adjusted preset position which can be angle adjusted by following steps in the next section "Lateral Angle Adjustment".

Lateral Angle Adjustment 35

1. Lock the lateral by rotating inwards.
2. Loosen the angle lock screw (F) as shown at the lateral hinge point.
3. Adjust the lateral angle to the proper position and tighten.



L. CHOOSING ANTERIOR SUPPORTS

When deciding if you should use Anterior supports, always consult your healthcare advisor.

Some children, due to their disability level or physical condition, may need anterior supports to help maintain proper posture or body position. Such devices include head straps, shoulder straps, thoracic strap systems, pelvic supports, and belts.

WARNING

Risks of injury with head supports and how to avoid them.

Excess movement or migration of the pelvis- This may cause the supports to displace. If this occurs, severe injury to the child could result.

To avoid risks:

1. It is VITAL to keep the child in a stable pelvic position.
2. Anterior supports should ONLY be used with seat, back, and pelvic supports or belts that keep the child from sliding down in the seat.
3. Anterior supports must be fitted by your authorized supplier and your healthcare professional.
4. After fitting, anterior supports, they should ONLY be placed and adjusted by trained professionals.
5. DO NOT leave the child unattended when using anterior supports.

M. HEAD SUPPORTS (OPTIONAL) 36 37 38

Attaching Head Support

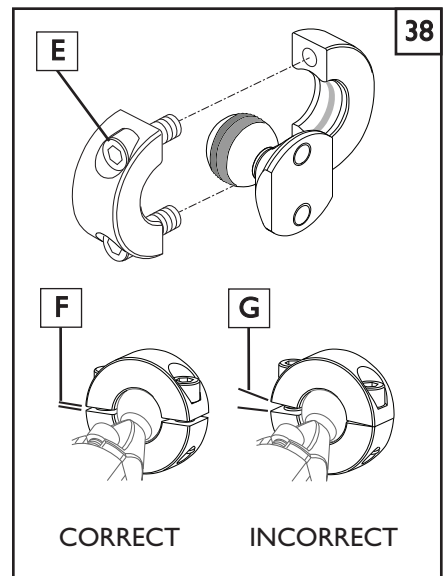
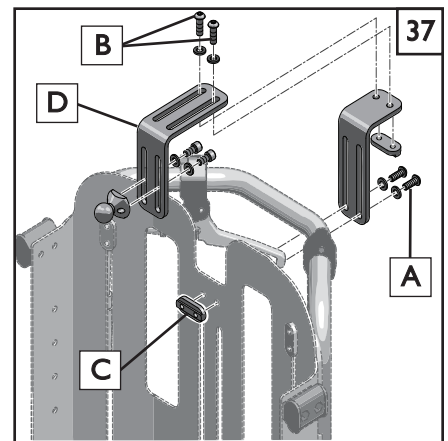
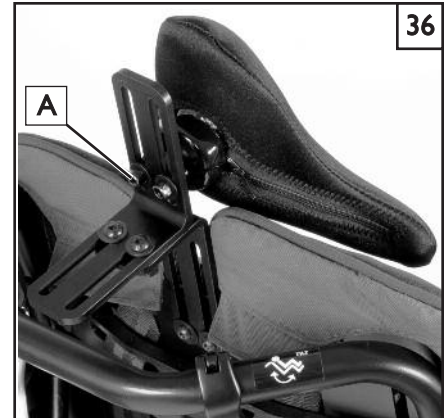
1. Remove back cushion and unsnap rear shell upholstery exposing two head support mounting holes at center back of inner seating shell.
2. Insert t-nut (C) from inside of shell attaching headrest mount with supplied screws.
3. Tighten the hardware securely.

Head Support Adjustment

1. You can adjust height of the headrest with the height adjustment screws (A).
2. You can adjust anterior/posterior depth, by loosening the adjustment screws (B).
3. You can adjust the pad tilt and angle by adjusting the collar, and collar bolts.
4. To raise the headrest to a higher position you can invert the bracket (D) as shown in (figure 36)

Attaching Headrest Pad

1. Remove vinyl collar cover and insert over the knurled headrest ball.
2. Loosen collar screws (E) enough to slip collar onto knurled ball.
3. Be sure to evenly tighten the collar by first loosely starting the screws.
4. Using the 5/32" hex key, tighten the screws 1/2 turn alternating between the two sides until there is an even gap as shown (F) Make sure collar alignment is even and secure. If collar is unevenly tightened as shown (G), injury to the child could result.

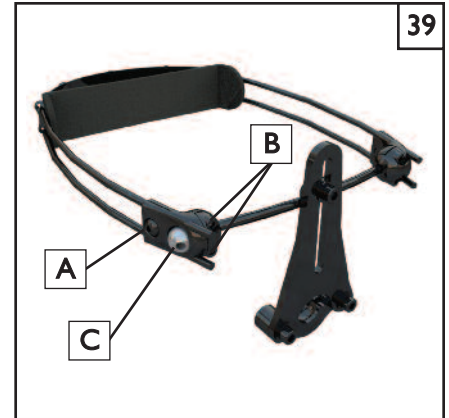


Forehead Strap Adjustment 39

1. Using an Allen wrench: Loosen the guide rods adjustment screws (A) and slide both guide rods evenly to desired diameter.
2. Locate neoprene strap in desired position on forehead.
3. Slide guide rods through clamp until front of neoprene strap is approximately 1/2" from plastic guide support. Strap must fit snugly on forehead.
4. Re-tighten guide rod adjustment screw (A) to hold position.
5. Guide rods may be trimmed to 1" limiting rearward protrusion. Vinyl caps should be removed prior to trimming and then reinstalled.
6. Re-adjust forehead strap as necessary.

Headrest Downward Stop Angle Adjustment 39

1. Using an Allen wrench loosen the angle adjustment clamp screws (B)
2. Insert an Allen wrench into the exposed hole on the silver angle adjustment pivot (C) and rotate until the forehead pad and guide rods are at the desired angle.
3. Re-tighten the angle adjustment clamp screws and check all settings.



NOTICE— Fasteners and DFS2 adjustment should be checked prior to each use. Neoprene Strap must be replaced at the first signs of wear or loss of tension. Please refer to Headstrap instruction sheet on the website or in your kit.

N. LATERAL HIP BLOCKS (OPTIONAL)

Hip pads are optional equipment available only with the optional contoured seating system.

Width Adjustment

1. Determine the proper location for each hip pad.
2. Remove the back cushion to expose hip pad adjustment screws.
3. Loosen two adjustment screws for each hip pad just enough to allow adjustment.
4. Adjust hip pads to the desired position.
5. Tighten the adjustment screws and replace the back cushion.

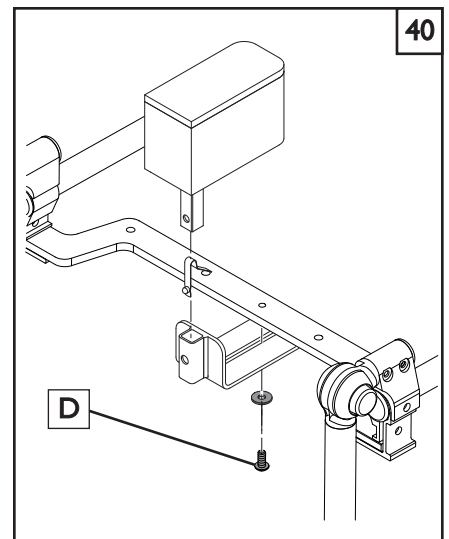
NOTE— Hip pad hardware must be removed for hip widths greater than 10". The foam hip pad attaches beneath fabric at back pivot point to accommodate an 11" hip width.

O. MEDIAL SUPPORT PADS (OPTIONAL) 40

Medial support pads are optional equipment available only with the optional contoured seating system.

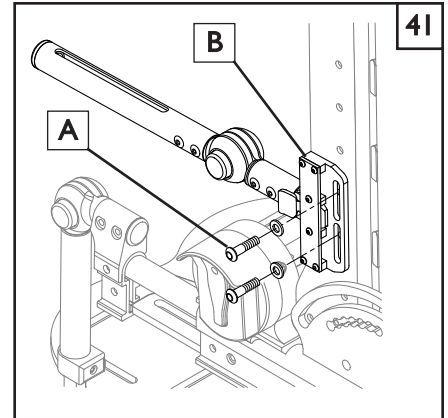
Angle and Width Adjustment

1. Locate medial adjustment screw. (D) Screw is located beneath the forward edge of the seat. Seat cushion removal aids greatly in finding screw location.
2. Lock the wheels, seat the child, and buckle the pelvic positioning belt.
3. Loosen the adjustment screw from beneath the seat and adjust medial pad to proper width and angle.
4. Tighten adjustment screw to lock the medial position.
5. If using 2 pads, repeat the adjustment sequence on opposite side.

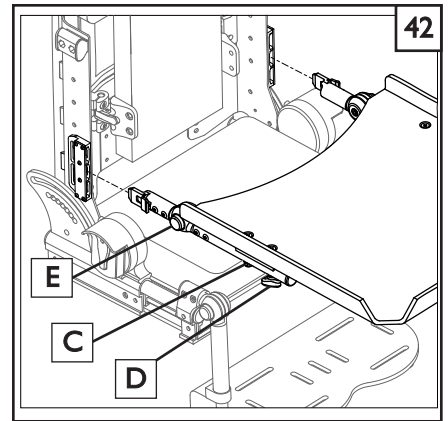


P. TRAY ARM HEIGHT ADJUSTMENT 41

1. Loosen or remove the two button head screws (A) to raise or lower the tray support arm receiver bracket (B).
2. Adjust tray support receiver bracket to the proper height and tighten the screws.
3. Insert the tray arm into one of 3 possible height positions on the receiver bracket.
3. Repeat the procedure for opposite side making sure tray supports are equal in height adjustment so that the tray can be installed easily.

**Q. TRAY INSTALLATION AND ADJUSTMENT** 42

1. Slide the tray over the tray supports, adjust depth and click into place.
2. Check that nut (C) is just loose enough so that the tray can be adjusted.
3. Knob (D) is loosened to adjust the depth of the tray and tightened on both sides to hold the adjustment.
4. Adjust the angle of the tray by holding in both knuckle buttons (E) on the support arms and raising the tray to desired angle, the tray should click in place for a positive lock.

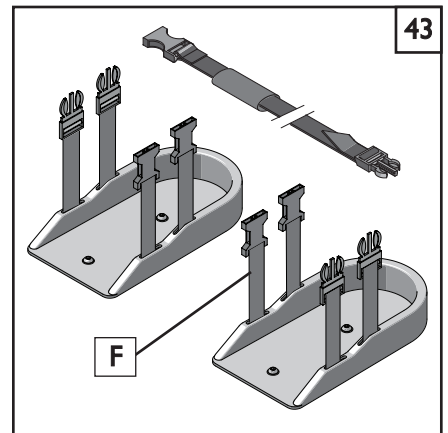
**⚠ WARNING**

Using a pelvic positioning belt is critical for child safety when foot straps or shoe holders must be used for therapeutic positioning needs.

R. FOOT STRAP ADJUSTMENT (OPTIONAL)

NOTE— Optional foot straps are intended for therapeutic positioning needs only.

1. Engage wheel locks, then seat the child.
2. Unlatch and loosen the two foot straps (F).
3. Place child's foot into position and snap the foot strap into place.
4. Keep the straps as loose as possible and only tighten enough to maintain therapeutic position.

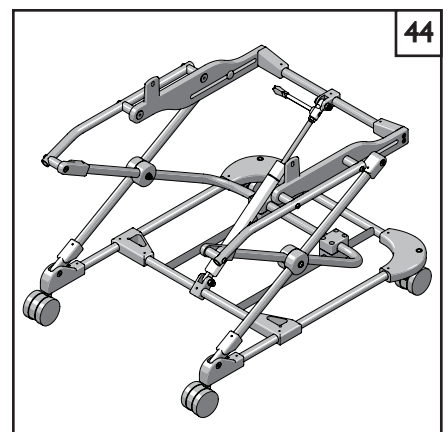
**S. SHOE HOLDER STRAP ADJUSTMENT (OPTIONAL)** 43

NOTE— Shoe holders are intended only for therapeutic positioning needs.

1. Engage wheel locks and seat the child.
2. Loosen the shoe holder straps (F).
3. Child should be wearing shoes for this step. Place child's foot into shoe holder and snap the two shoe holder straps into place.
4. Keep the straps as loose as possible and only tighten enough to maintain a therapeutic position.

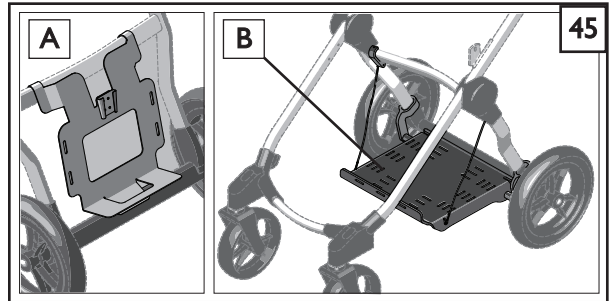
T. FOLDING BOOSTER BASE (HEIGHT ADJ) (OPTIONAL) 44

1. Booster base is height adjustable
2. The booster base uses the same type of latch blocks to attach the seating shell as the Voyage base frame.
3. Please refer to accessory instruction sheet for setup, specific warnings, and how to maintain your Folding Booster Base.



U. VENT/BATTERY TRAYS (OPTIONAL) 45

1. There are two types of Vent platforms. A rear mount or dovetail vent mount(A) which has a weight capacity of 15lbs, and an underframe vent tray (B) which has a weight capacity of 50lbs.
2. The vent platforms attach easily to the Voyage base frame.
3. Please refer to the accessory instruction sheet for setup, specific warnings, and how to maintain your Vent mounting platforms.
4. Tie down straps are included with this option to secure the equipment.



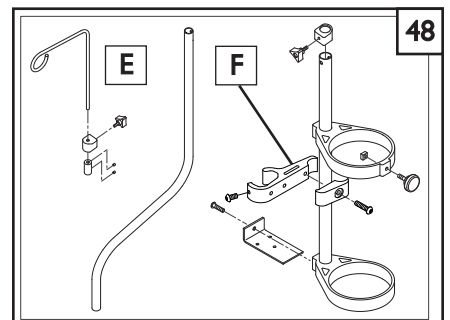
V. FRONT OR REAR ADD-ON PLATFORM (OPTIONAL) 46 47

1. The rear platform (C) can be used for support of a vent, or as a riding platform for a small child under 45 lbs.
2. The front mount utility platform (D) has a weight limit of 50lbs.
2. Please refer to the accessory instruction sheet for setup, specific warnings, and how to maintain your accessory platform.
3. Tie down straps are included with this option to secure the equipment.



W. IV SUPPORT POLE / O2 TANK HOLDER (OPTIONAL) 48

1. IV pole (E) and Oxygen holder(F) are both fully adjustable and attach directly to your Voyage base frame using the hardware shown in (figure 48).
2. Please refer to the accessory instruction sheet for setup, specific warnings, and how to maintain your IV support pole/O2 tank holder.



X. CUP HOLDER, UTILITY HOOK (OPTIONAL) 49

1. Cup holder (G) is easy to attach and lock into place.
2. The utility hook (H) uses a Velcro® attachment, and is usually used to route oxygen hoses, but can also be used for hanging other light items.
3. Please refer to the accessory instruction sheets for setup, specific warnings, and how to maintain either of these two accessories.



X. MAINTENANCE

A. NOTES

1. Proper maintenance will improve performance and extend the useful life of your mobility device.
2. Clean the device regularly. This will help you find loose or worn parts and will make your device easier to use.
3. To protect your investment, have all major service and repair work done by your supplier.
4. At least every four months, check all screws and knobs for tightness. If parts are missing, broken, damaged or worn, then discontinue use of the product until repairs are made, using factory-authorized parts.
5. Wipe down all plastic components periodically with a solution of mild soapy water to maintain cleanliness.
6. Hand wash and air-dry the fabric components as needed.
7. Lubricate all moving metal parts with a teflon lubricant only.

NOTE— Using lubricant other than Teflon-based may damage moving parts

8. Check the parking brake lock pin weekly to make sure it engages smoothly into the wheel hub. This simple check will insure the safety of the rider. Lubricate with a Teflon Lubricant when needed.
9. Check and clean the wheel attachment points frequently, this is a main area that can collect dirt and grime. Debris in this area can effect the performance and safety of the device.

WARNING

1. **Your device needs regular maintenance for peak performance and to avoid injury from a device failure, damage or premature wear.**
2. **Inspect and maintain this device strictly using this Owner's manual as a reference.**
3. **If you detect a problem, make sure to service or repair the device before putting it back into use.**
4. **At least once a year, have a complete safety check and service of your device performed by your supplier.**

B. CLEANING

Base Frame Parts:

- Clean with mild soapy water monthly.

Upholstery:

- Hand-wash only as needed. Machine washing may damage fabric.
- Drip-dry only. Heat from a dryer may damage fabric.

NOTE—Washing the fabric may decrease fire retardant properties.

C. STORAGE TIPS

1. Store your device in a clean, dry area. If you fail to do so, parts may rust or corrode.
2. Before using your mobility device, make sure it is in proper working order. Inspect and service all items included in this Manual.
3. If you store this device for more than three months, have it inspected by a supplier before use.

D. ORDERING PARTS

When you order parts, provide the following:

- Model of device
- Serial number of device
- Part number, description and quantity of parts you need
- State the reason for the replacement

XI. SUNRISE LIMITED WARRANTY

A. FOR FIVE (5) YEARS

Sunrise Medical warrants the Zippie Voyage frame against defects in materials and workmanship for the lifetime of the product.

Lifetime is defined as 5 years.

B. FOR ONE (1) YEAR

We warrant all Sunrise-made parts and components of this device against defects in materials and workmanship for one year from the date of first consumer purchase.

C. LIMITATIONS

1. We do not warrant:
 - Tires, upholstery, and pads.
 - Damage from neglect, accident, misuse, or from improper installation or repair.
 - Products modified without Sunrise Medical's express written consent.
 - Damage from exceeding the weight limit.
2. This warranty is VOID if the original device serial number tag is removed or altered.
3. This warranty applies in the USA only. Check with your supplier to find out if international warranties apply.
4. This warranty is not transferable and only applies to the first consumer purchase of this device through an authorized Sunrise Medical dealer.

D. WHAT WE WILL DO

Our sole liability is to repair or replace covered parts. This is the exclusive remedy for consequential damages.

E. WHAT YOU MUST DO

1. Obtain from us, while this warranty is in effect, prior approval for return or repair of covered parts.
2. Return the device or part(s), freight pre-paid, to Sunrise Mobility Products Division at: 2842 Business Park Avenue, Fresno, CA 93727-1328.
3. Pay the cost of labor to repair, remove or install parts.

F. NOTICE TO CONSUMER

1. If allowed by law, this warranty is in place of any other warranty (written or oral, express or implied, including a warranty of merchantability, or fitness for a particular purpose).
2. This warranty gives you certain legal rights. You may also have other rights that vary from state to state.

Record your serial number here for future reference:

Sunrise Medical • 2842 Business Park Ave. • Fresno, CA 93727 • USA
In Canada (800) 263-3390



Customer Service: 800.333.4000
www.SunriseMedical.com

©2013 Sunrise Medical (US) LLC
4.2013 124267 Rev. B